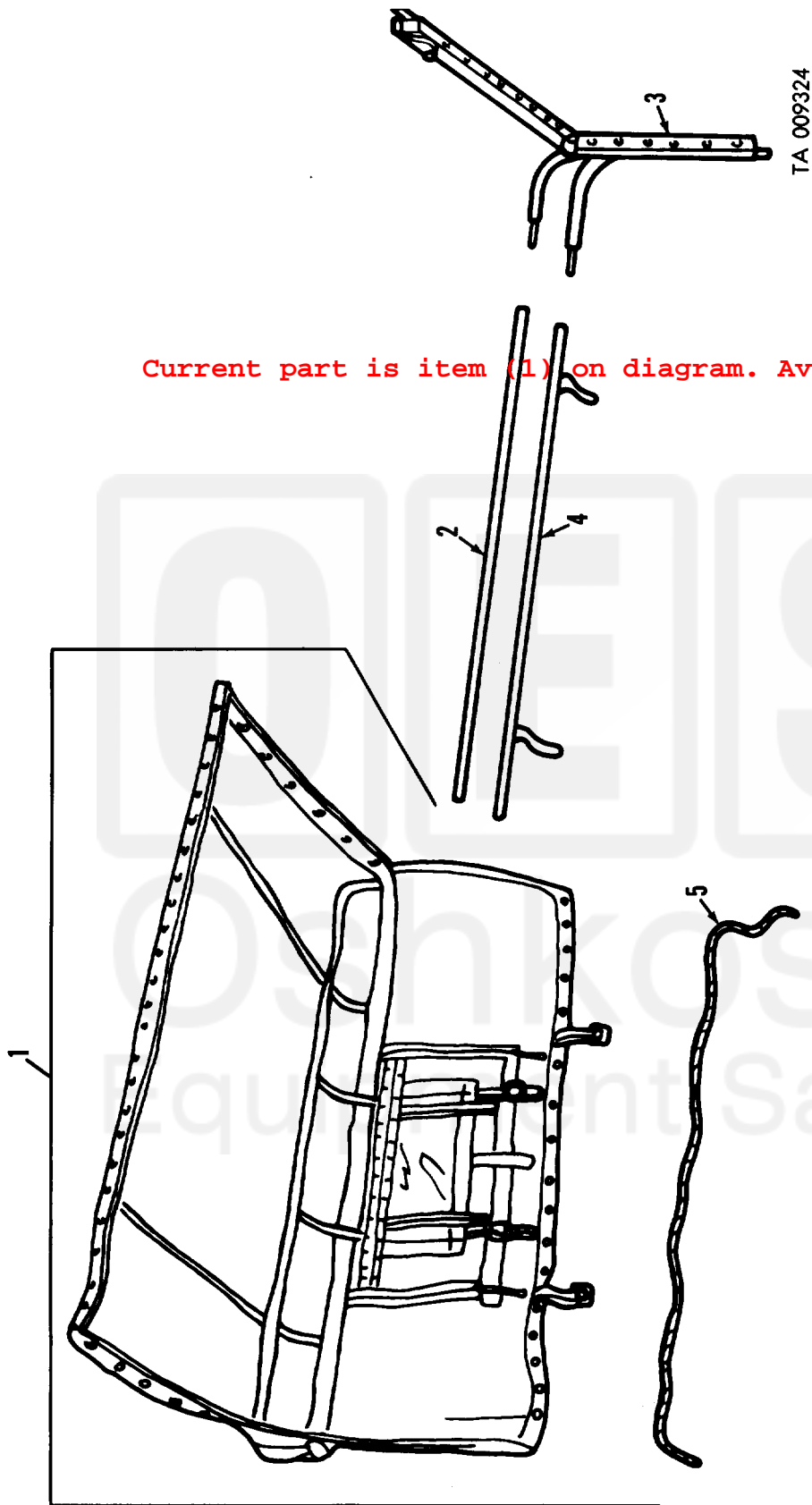


Current part is item (1) on diagram. Available at www.oshkoshequipment.com

(1) SMR Code	(2) Federal Stock Number	(3) Description	(4) Unit of Meas.	(5) Qty	(6) 15-day Maintenance In	(7) Organizational alw	(7) Illustration No.	(a) Figure No.	(b) Item No.		
Reference number & mfg. code			Usable on code		(a)	(b)	(c)	(d)			
					1-5	6-20	21-50	51-100			
2001-CANVAS,RUBBER OR PLASTIC ITEMS-CONTINUED											
PAOZZ	2540-860-2357	FRAME:CANOPY TABULAR STEEL REAR 10876565 (19207)	BD,HA,FH	EA	1	*	*	*	*	197	4
PAOZZ	2540-737-2723	COVER:CAB TOP WITH REAR CURTAIN ASSEMBLY 66048 (82278)	AE	EA	1	*	*	*	*	198	1
PAOZZ	2510-737-2713	BAR:CROSS FRONT BOW 66032 (822780)	AE	EA	1	*	*	*	*	198	2
PAOZZ	2510-740-9596	POST PILLAR, CAB TOP: (LEFT) 7409596 (19207)	AE	EA	1	*	*	*	*	198	3
PAOZZ	2510-740-9597	POST PILLAR,CAB TOP: (RIGHT) 7409597 (19207)	AE	EA	1	*	*	*	*	198	3
PAOZZ	2520-740-9678	BAR:CROSS CAB TOP BOW 67314 (82278)	AE	EA	1	*	*	*	*	198	4
PAOZZ	4020-551-8804	CORD,COTTON: TC571 (81348)	AE	FT	V	*	*	*	*	198	5
2202-ACCESSORY ITEMS											
PAOZZ	2540-640-2267	BLADE,WINDSHIELD WIPER: (12 INCHES LONG) MS53048-12 (96906)	A	EA	2	*	*	*	*	199	1
PAOZZ	2540-050-0810	ARM,WINDSHIELD WIPER: (ADJUSTABLE) 500810 (19207)	A	EA	2	*	*	*	*	199	2
PAOZZ	5310-705-8965	NUT,PLAIN,CAP:WINDSHIELD WIPER ARM TO MOTOR SHAFT 7058965 (19207)	A	EA	2	*	*	*	*	199	3
PAOZZ	5305-531-0452	SCREW,ASSEMBLED WASHER:MOTOR MOUNTING 594269 (21450)	A	EA	4	*	*	*	*	199	4
PAOZZ	2540-753-9697	BRACKET:INSIDE REAR VIEW MIRROR 7539697 (19207)	A	EA	1	*	*	*	*	199	5
PAOZZ		SCREW: 164475 (21450)	A	EA	2	*	*	*	*	199	6
PAOZZ	2540-054-7201	MIRROR ASSEMBLY,REAR VIEW: 547201 (21450)	A	EA	1	*	*	*	*	199	7
PAOZZ	2540-391-4322	MOTOR,WINDSHIELD WIPER: MS53017-1 (96906)	A	EA	2	*	*	*	*	199	8
PAOZZ	4730-908-3195	CLAMP,HOSE: MS35842-10 (96906)	A	EA	8	*	*	*	*	199	9
PAOZZ	5305-836-9566	SCREW,TAPPING,THREAD FORMING: N145P1708C (03538)	A	EA	4	*	*	*	*	199	10
PAOZZ	4720-203-2668	HOSE,NONMETALLIC:WINDSHIELD WIPER LINE A12876 (65909)	A	FT	V	*	*	*	*	199	11
PAOZZ	4710-277-5525	TUBE,COPPER:WINDSHIELD WIPER LINE BB3338 (50513)	A	FT	V	*	*	*	*	199	12



TA 009324

Current part is item (1) on diagram. Available at www.oshkoshequip.com

Figure 198. Cab top assembly.

Current part is item (1) on diagram. Available at www.oshkoshequip.com